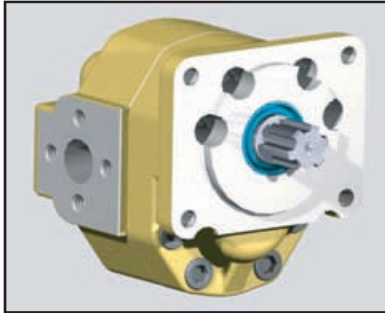


INTERCHANGEABLE TO NSZ 32, 40, 50



Model	P2A1907AT41B27	P2A1909AT41B27	P2A1911AT41B27	PC2413AT41B27
Displacement [ccm/rev]	32	40	50	100
Rated pressure [MPa]	25			21
Max speed [rpm]	2700			

● Dimensions 1

● Dimensions 2

HOW TO ORDER

We offer models:

P2A1907AT41B27A/C

substitute of NSZ 32

P2A1909AT41B27A/C

substitute of NSZ 40

P2A1911AT41B27A/C

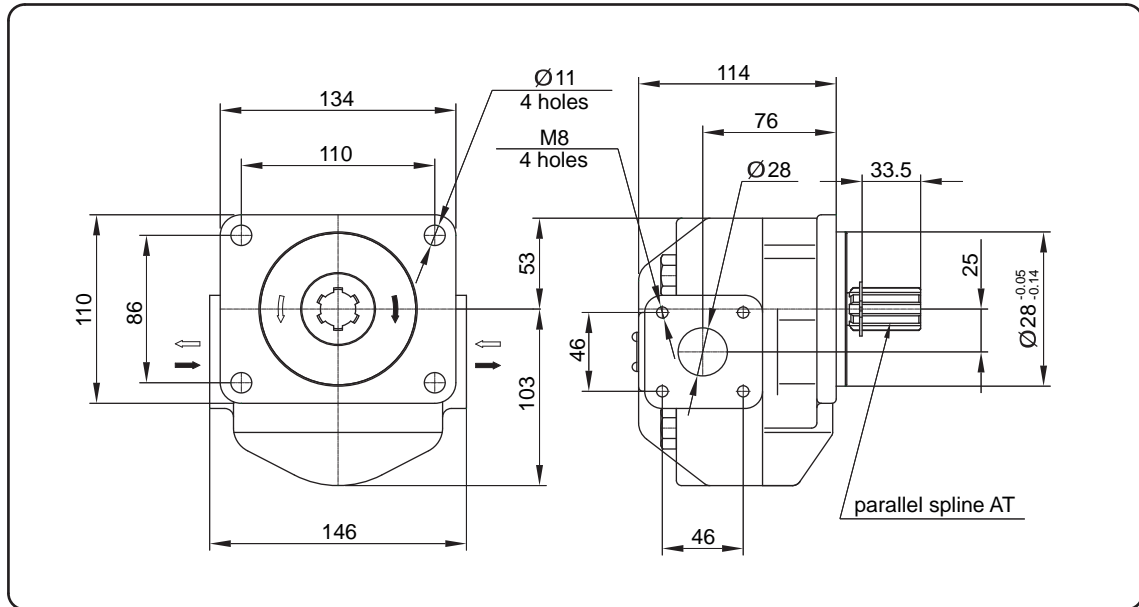
substitute of NSZ 50

PC2413AT41B27A/C

substitute of NSZ 100

PUMP P2A 1907 AT41B27A/C

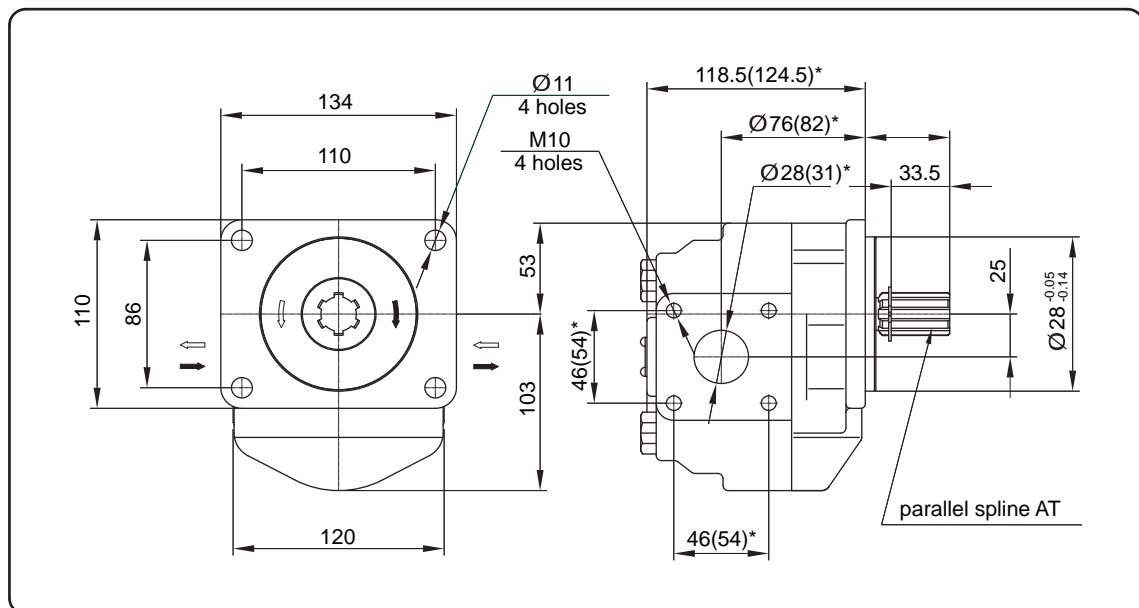
INTERCHANGEABLE TO NSZ 32 UNITS



PUMP P2A 1909 AT41B27A/C

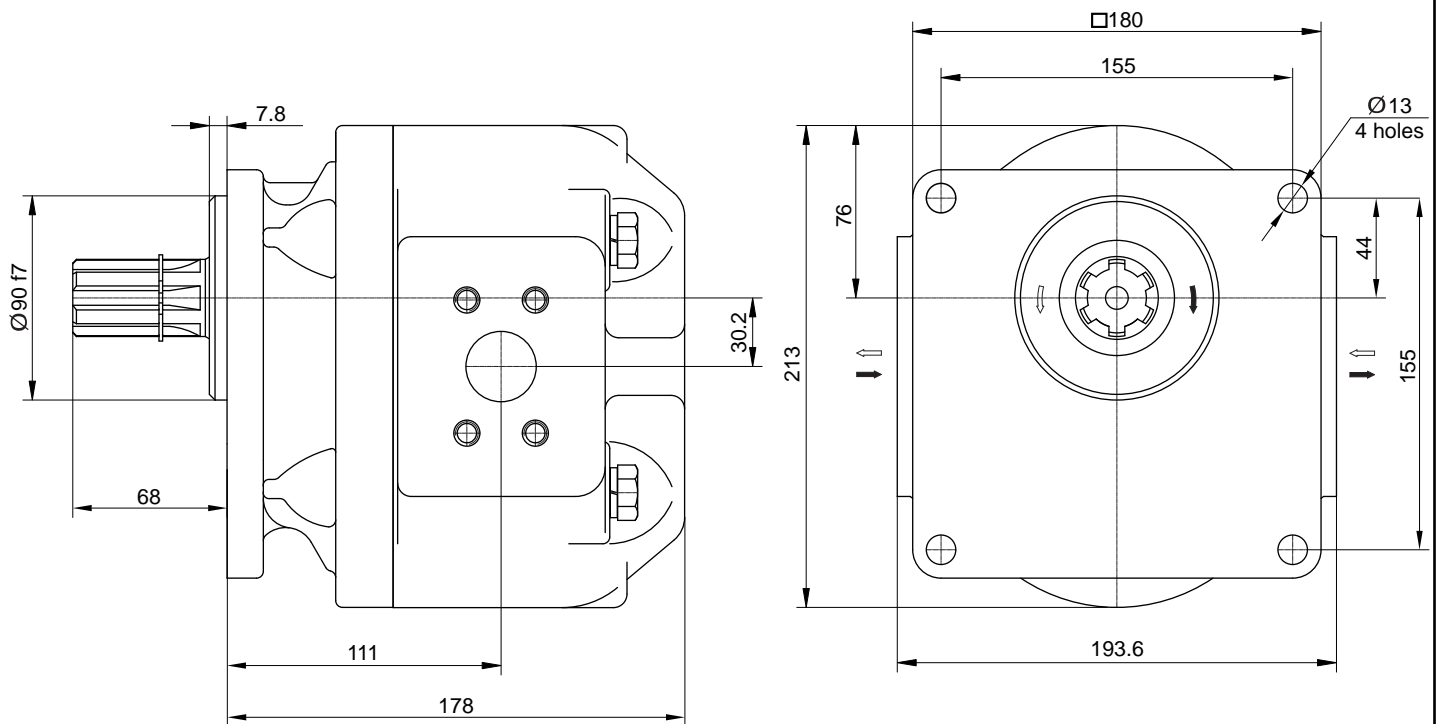
PUMP P2A 1911 AT41B27A/C

INTERCHANGEABLE TO NSZ 40, NSZ 50 UNITS

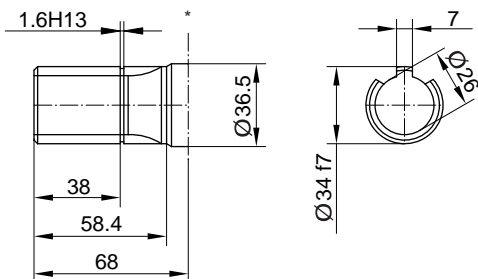


* First number - dimensions of size 1909
Second number - dimensions of size 1911

PUMP PA 2413 ATC42B26A/C



Parallel spline 6x28x34 D-p (PN)



INLET

OUTLET

